

SPS10 Electric Multi-Use Surface Preparator

Parts Manual



1-800-653-9311

www.SmithMfg.com

Phone: 954-941-9744 • Fax: 954-545-0348

INDEX

Page	Contents
2	Index
3	Machine safety and warning labels
4-5	Bearing & shaft assembly
8-9	Rear assembly
10-11	Front assembly
12-13	Electric assembly
14	Water controls assembly
15	Center stand brake assembly
16	Eccentric wheel extender kit assembly
16-17	Maintenance log - warranty claims
18	Limited equipment warranty
19	Pre-operation inspection - warranty activation

(TRIM THIS AREA OFF)

Name Label: LB-50006

Check List: LB-50020

TIME TO REORDER CUTTERS?

800-653-9311

RemoveFaster.com

Reorder Cutters Label: LB-50006

MACHINE SAFETY AND WARNING LABELS



SPS10 WALK/DRIVE PUSH/PULL ALL-PURPOSE SURFACE PREPARATOR

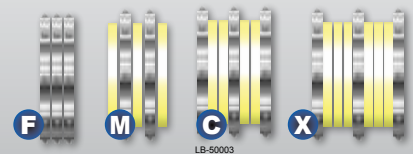
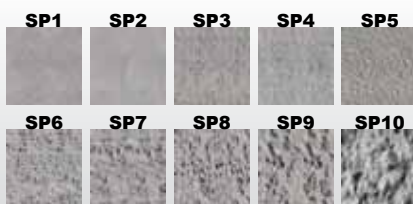
Removal Tool Options

- Abrade • Clean • Cure • Cut • Eradicate • Expose
- Grind • Groove • Level • Mill • Peel • Plane • Prep
- Profile • Reduce • Remove • Route • Scabble
- Scarify • SMITH • Texture and more



SMITH Desired Surface Profiles

(1-10) by selecting the right cutter, offset spacing pattern and SMITHing process to remove in the "impact zone." Add spacers to increase impact and reduce cut widths.



RemoveFaster.com

**Belt Guard Label:
LB-50003**

Engine Stop

Twist-Lock Throttle Control
FAST / SLOW
OPEN / LOCK
Optional on SPS8

Tipping Back Locks Engine

Always Stock Genuine SMITH Wear Parts and Cutter Drums

OPTIONAL TACH/HOUR

SPS Options: Edger, 10 Cutter Drum Styles

CAUTION: FAILURE TO COMPLY WILL RESULT IN INJURY

MANUAL HARD HAT GLOVES STEEL TOE GOGGLES EAR PRO RESPIRATOR

Dashboard Label: LB-50013

CAUTION

DO NOT REMOVE GUARD WHEN ENGINE IS RUNNING

DISCONNECT POWER SUPPLY OR SPARK PLUG TO PREVENT INJURY WHEN SERVICING OR CHANGING BLADES OR ACCESSORIES

DESCONECTE LA CORRIENTE ELECTRICA O LA BUJIA PARA EVITAR LESIONES CUANDO SE DE SERVICIO O SE CAMBIEN CUCHILLAS O ACCESORIOS

DANGER MOVING PARTS

KEEP HANDS, FEET AND LOOSE CLOTHING CLEAR. STAY AWAY FROM HOT MUFFLERS AND ENGINE SHROUDS. BE SURE THAT ELECTRICAL EQUIPMENT IS PROPERLY GROUNDED

FAILURE TO COMPLY COULD RESULT IN SERIOUS BODILY INJURY OR DEATH

Dashboard Label: LB-50013

Technical Help?



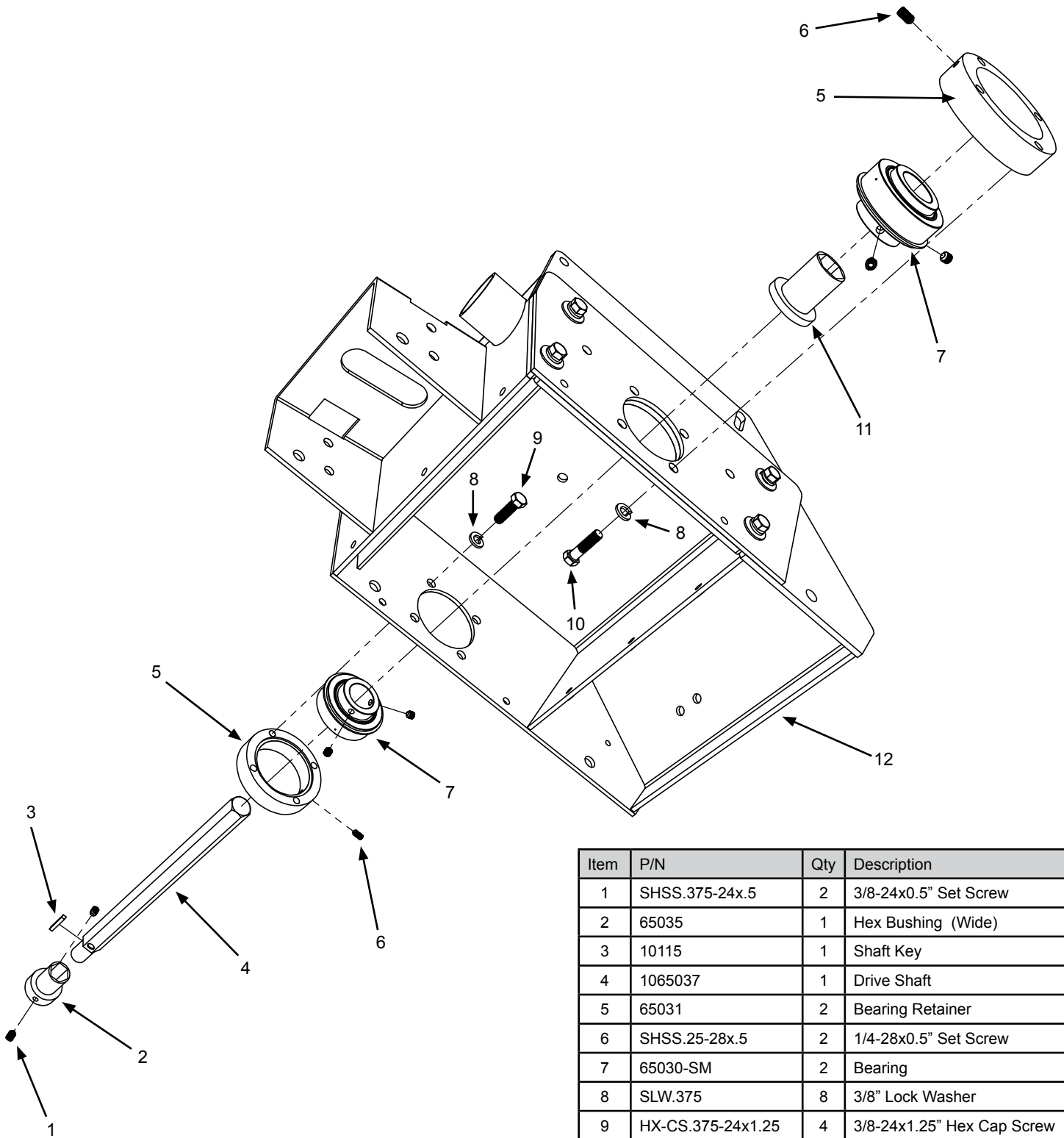
RemoveFaster.com
800-653-9311

**Help Label:
LB-50014**



**Cut Control Label:
LB-50011**

BEARING & SHAFT ASSEMBLY



Item	P/N	Qty	Description
1	SHSS.375-24x.5	2	3/8-24x0.5" Set Screw
2	65035	1	Hex Bushing (Wide)
3	10115	1	Shaft Key
4	1065037	1	Drive Shaft
5	65031	2	Bearing Retainer
6	SHSS.25-28x.5	2	1/4-28x0.5" Set Screw
7	65030-SM	2	Bearing
8	SLW.375	8	3/8" Lock Washer
9	HX-CS.375-24x1.25	4	3/8-24x1.25" Hex Cap Screw
10	HX-CS.375-24x1.5	4	3/8-24x1.5" Hex Cap Screw
11	65033	1	Hex Bushing
12	1065001	1	Main Frame

NOTE: the P/N for item #7 is **65030-HS** when the machine is to be used for high speed diamond blade applications

BEARING & SHAFT ASSEMBLY

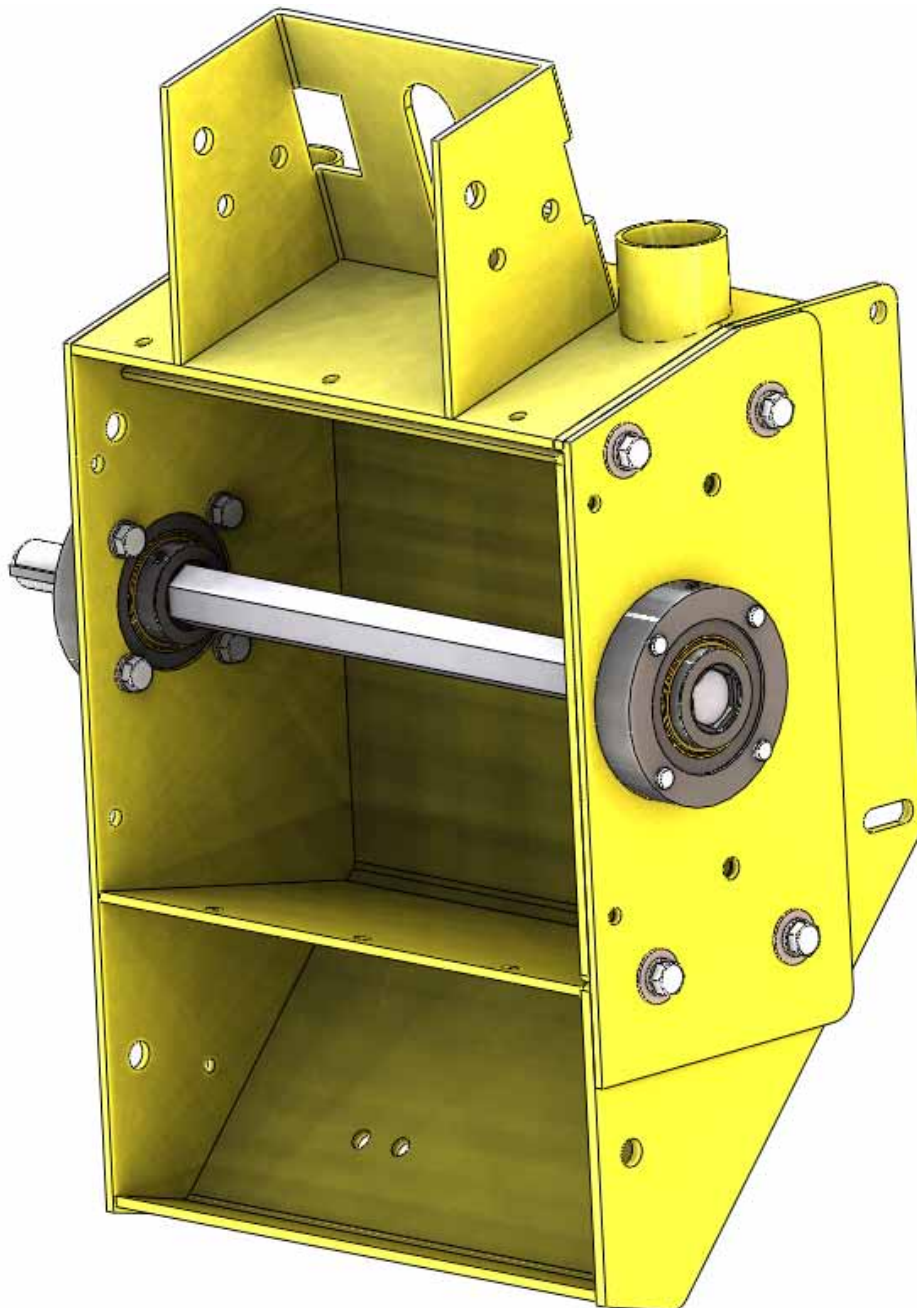
SPS10 BASIC WEAR PARTS KIT: Includes a set of 2 bearing assemblies in retainers, and drive belt.

FLAIL

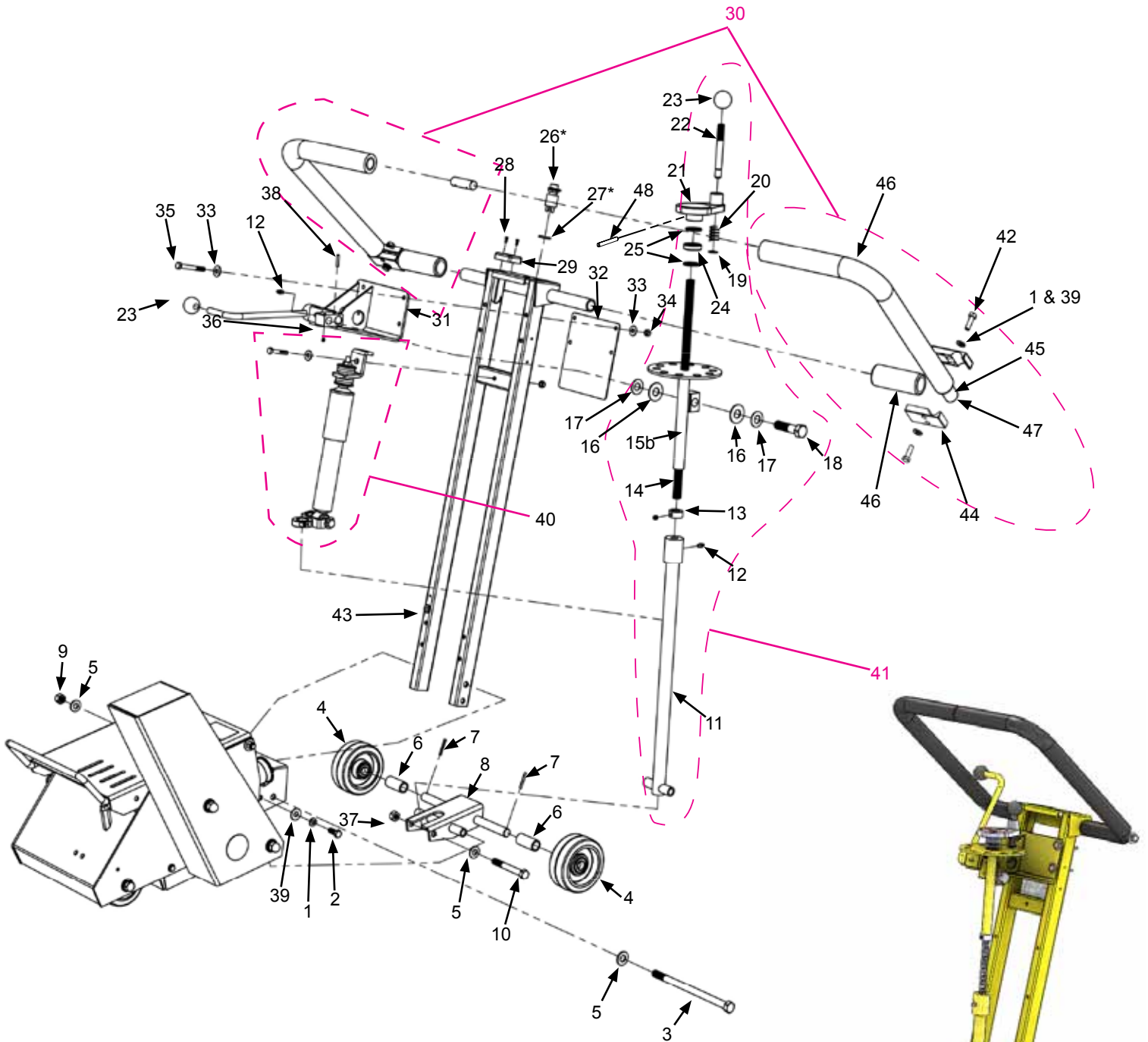
P/N
SPS10DE.WPK.F

DIAMOND

P/N
SPS10DE.WPK.D



REAR ASSEMBLY



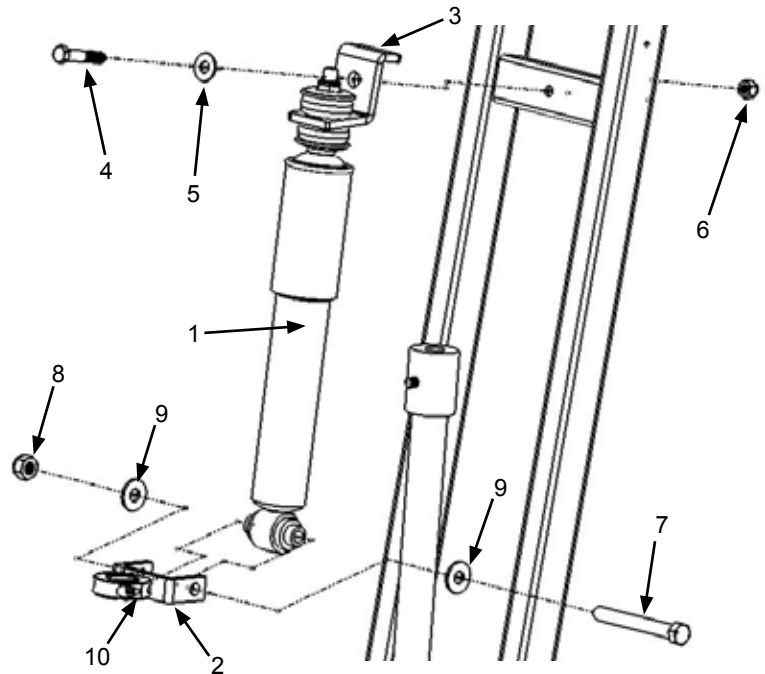
*Kill Switch (#26 & #27) not present in electric model

REAR ASSEMBLY

Item	P/N	Qty	Description
1	SLW.375	4	3/8" Lock Washer
2	HX-CS.375-16x1	4	3/8-16x1" Hex Cap Screw
3	HX-CS.50-13x8	1	1/2-13x8" Hex Cap Screw
4	52002	2	Wheel
5	FLW.50	3	1/2" Flat Washer
6	65005	2	Wheel Spacer
7	110360	2	Cotter Pin
8	65004-1	1	Rear Fork
9	NHN.50-13	1	1/2-13 Nylock Nut
10	HX-CS.50-20x4	1	1/2-20x4" Hex Cap Screw
11	1065006	1	Lower Linkage
12	10808	2	Grease Fitting
13	110096	1	Locking Collar
14	168041-2	1	Threaded Rod
15	1065007.E	1	Upper Linkage (Current Machines)
16	1065041	2	Bronze Washer
17	1065040	2	Belleville Washer
18	HX-CS.625-11x2.5	1	5/8-11x2.5" Hex Cap Screw
19	V.SC30M179	1	E-Clip
20	V.SC30M185	1	Spring
21	65019	1	Handwheel
22	110346.A	1	Locator Pin
23	14023	2	Ball Knob
24	85005	1	Thrust Bearing
25	10073	2	Structural Washer
26	1050010*	1	Kill Switch *
27	179035*	1	Rubber Bushing *
28	SHCS6-32x.375	2	#6-32x0.375" Socket Cap Screw
29	1068055	1	Tach/Hour meter
30	1065012R14A	1	Adjustable Handlebar Assembly
31	65009.25.E	1	Cam Lever
32	65009.25.1	1	Handlebar Back Plate
33	FLW.312	8	5/16" Flat Washer
34	NHN.312-18	4	5/16-18 Nylock Nut
35	HX-CS.312-18x2.5	4	5/16-18x2.5" Hex Cap Screw
36	SHSS10-32x.25	1	#10-32x0.25" Set Screw
37	NHN.50-20	1	1/2-20 Nylock Nut
38	V.SC30M171.2	1	Roll Pin
39	FLW.375	4	3/8" Flat Washer
40	SPS.DLX.ACC	1	Dampener Kit for Cam (to the Right)
41	65007A	1	Linkage / Handwheel Assembly

42	HX-CS.375-16x1.5	4	3/8-16x1.5" Hex Cap Screw
43	65009.1	1	Main Handlebar Frame
44	1065013R14	4	Handlebar Locking Clamp
45	1065012.14	2	Handlebar
46	1010608.R14	1	Set of Large and Small Foam Grips
47	1065012.1	2	Plastic Plug for Handlebar Tube
48	65019.1	1	1/8" x 1.25" Roll Pin

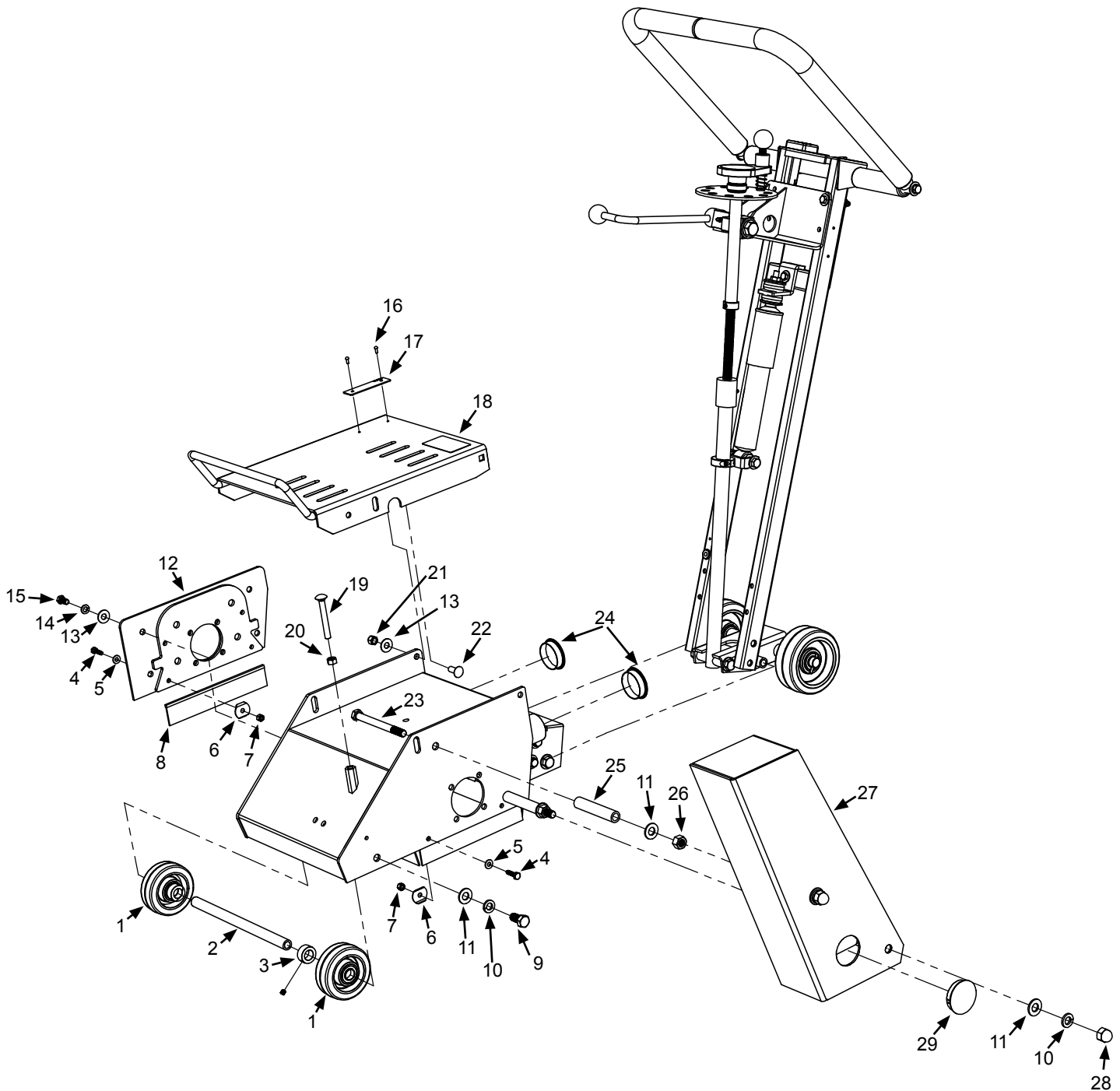
DAMPER KIT (SPS.DLX.ACC)



Item	P/N	Qty	Description
1	168090	1	Shock Absorber
2	SPS.SHCKATCH.A	1	Lower Attachment Link
3	1065056	1	Upper Attachment Link
4	HX-CS.312-18x1.75	1	5/16-18x1.75" Hex Cap Screw
5	FLW.312	1	5/16" Flat Washer
6	NHN.312-18	1	5/16-18 Nylock Hex Nut
7	HX-CS.375-16x3.5	1	3/8-16x3.5" Hex Cap Screw
8	NHN.375-16	1	3/8-16 Nylock Hex Nut
9	FLW.375	2	3/8" Flat Washer
10	SHCS.25-28x1	2	1/4-28x1" Socket Cap Screw

*Kill Switch (#26 & #27) not present in electric model

FRONT ASSEMBLY



SPS10.WPKA - SPS10 ESSENTIAL WEAR PARTS KIT: Includes a set of 2 front wheels, a set of 2 rear wheels, adjustable handle expansion hardware, dust skirt with guards, vacuum cap, foam grips, and hex drive shaft.

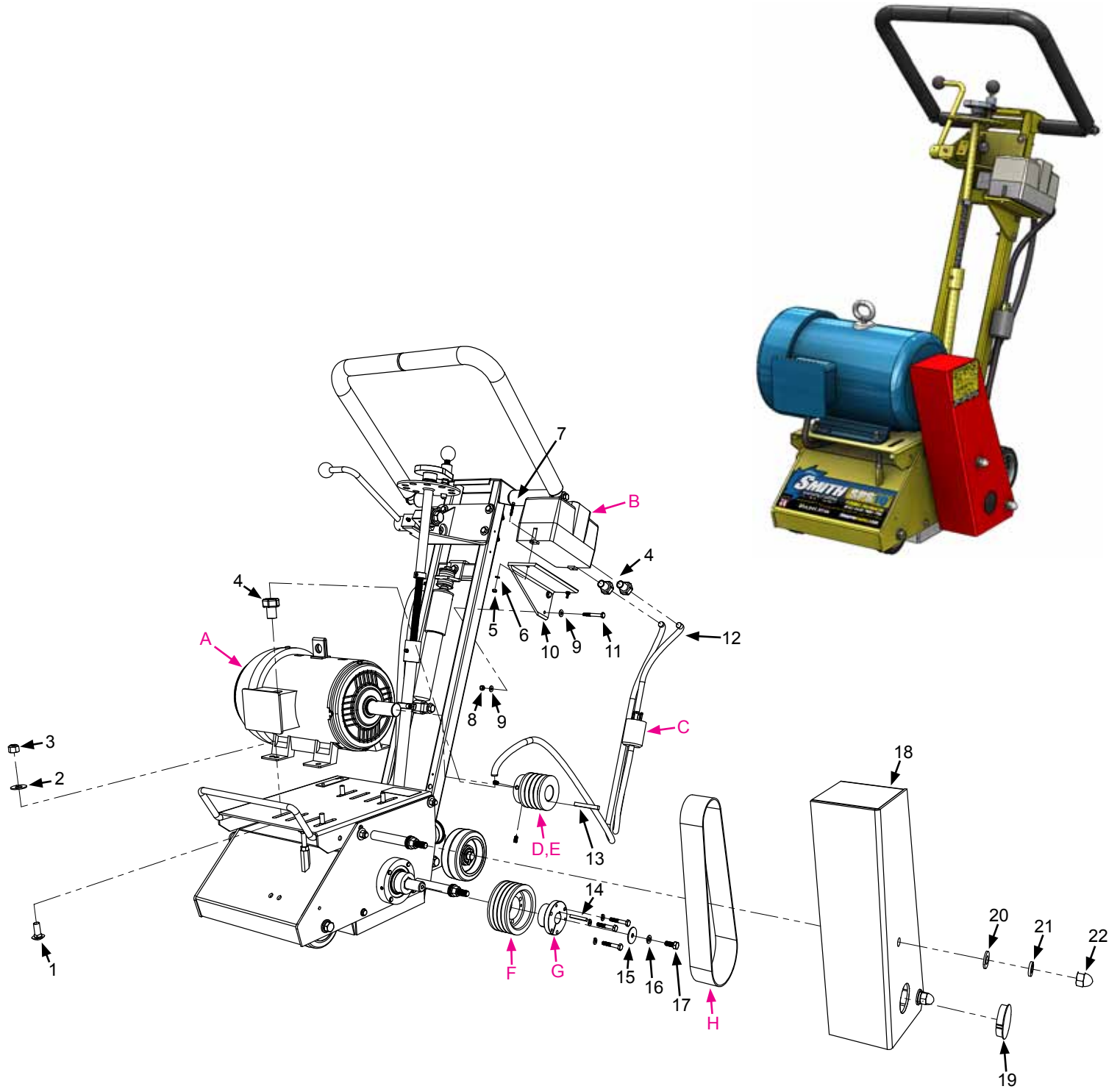
FRONT ASSEMBLY



Item	P/N	Qty	Description
1	52001	2	Front Wheel (with bearings)
2	65014	1	Axle Shaft
3	10428	2	Locking Collar
4	HX-CS.25-20x1	10	1/4-20x1" Hex Cap Screw
5	FLW.25	10	1/4" Flat Washer
6	FNW.25-1.0	10	1/4" Fender Washer
7	NHN.25-20	10	1/4-20 Nylock Nut
8	65036.A	2	Brush Strip (Set of 4)
9	HX-CS.50-20x1	2	1/2-20x1" Hex Cap Screw
10	SLW.50	2	1/2" Lock Washer
11	FLW.50	6	1/2" Flat Washer
12	1065010	1	Sideplate
13	FLW.375	8	3/8" Flat Washer
14	SLW.375	4	3/8" Lock Washer
15	HX-CS.375-24x.75	4	3/8-24x0.75" Hex Cap Screw

Item	P/N	Qty	Description
16	10129	2	Drive Screw
17	80001	1	Serial Plate
18	65002	1	Engine Mount
19	CB.375-16x3	1	3/8-16x3" Carriage Bolt
20	HN.375-16	1	3/8-16 Hex Nut
21	NHN.375-16	4	3/8-16 Nylock Nut
22	CB.375-16x1	4	3/8-16x1" Carriage Bolt
23	HX-CS.50-13x5.5	2	1/2-13x5.5" Hex Cap Screw
24	65021	2	Cap Plug
25	1065016	2	Spacer
26	HN.50-13	2	1/2-13 Hex Nut
27	65003	1	Belt Guard
28	AHN.50-13	2	1/2-13 Acorn Nut
29	65022	1	Hole plug

ELECTRIC ASSEMBLY



ELECTRIC ASSEMBLY

Item	P/N	Qty	Description
1	CB.375-16x1	4	3/8-16x1" Carriage Bolt
2	FLW.375	4	3/8" Flat Washer
3	NHN.375-16	4	3/8-16 Nylock Nut
4	FS2E-0102-3	3	Strain Relief
5	NHN10-32	2	#10-32 Nylock Nut
6	FLW10	2	#10 Flat Washer
7	BH-SCS10-32x.75	2	#10-32x0.75" Button Head Screw
8	NHN.25-20	2	1/4-20 Nylock Nut
9	FLW.25	4	1/4" Flat Washer
10	SPSE-139	1	Starter Mounting Bracket
11	HX-CS.25-20x2	2	1/4-20x2" Hex Cap Screw
12	See Below	1	Power Cord
13	10307	1	Key (motor)
14	10115	1	Key (drive shaft)
15	FNW.312-1.25	1	5/16" Fender Washer
16	SLW.312	1	5/16" Lock Washer
17	HX-CS.312-24x.75	1	5/16-24x0.75" Hex Cap Screw
18	65003	1	Belt guard
19	65022	1	Hole Plug
20	FLW.50	2	1/2" Flat Washer
21	SLW.50	2	1/2" Lock Washer
22	AHN.50-13	2	1/2-13 Acorn Nut

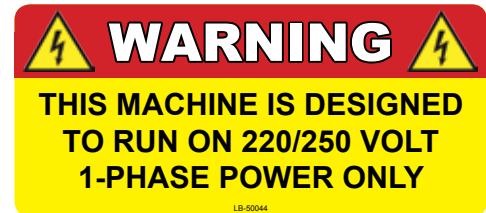
Item	Power Cord	
12	SPSE-0128	230V 1Phase Cord
12	SPSE-0110	33Phase Cord (230V-460V)

LOW VOLTAGE (230V)			
Item	P/N	Description	Qty
A	SPSE-0100-7.5	7.5HP Electric Motor	1
B	SI-1923-1GA01	Starter Enclosure	1
B	SI-4FA10	Starter (230V 1Phase)	1
B	SI-4CA10	Starter (230V 3Phase)	1
C	SPSE-0151	Plug (230V 1Phase)	1
C	FS350E.0022	Plug (230V 3Phase)	1

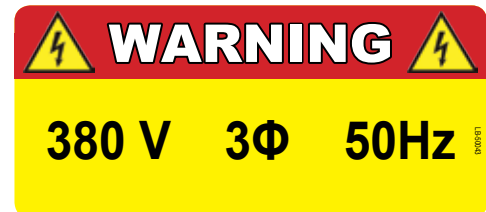
HIGH VOLTAGE (380V/460V)			
Item	P/N	Description	Qty
A	SPSE-0100-7.5	7.5HP Electric Motor	1
B	SI-1923-1GA01	Starter Enclosure	1
B	SI-1JA10	Starter (380V 3Phase)	1
B	SI-1KA10	Starter (460V 3Phase)	1
C	FS350E.0021	Plug	1



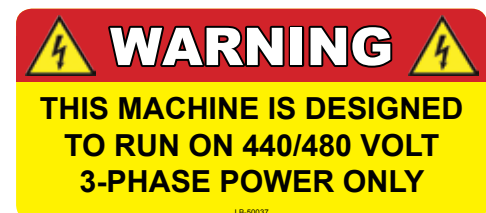
230V/3Phase Label: LB-50046



230V/1Phase Label: LB-50044



380V/3Phase/50Hz Label: LB-50043



460V/3Phase Label: LB-50037

FLAIL Set up			
Item	P/N	Description	Qty
D	1010554	Motor Pulley	1
E	N/A	Motor Pulley Bushing	-
F	1065020	Drive Pulley	1
G	1010506	Drive Pulley Bushing	1
H	1081008	Drive Belt	1

DIAMOND (high speed) Set up			
Item	P/N	Description	Qty
D	1065020	Motor Pulley	1
E	1010660	Motor Pulley Bushing	1
F	X3.00.219.1	Drive Pulley	1
G	X3.00.220.3	Drive Pulley Bushing	1
H	1081008.W	Drive Belt	1

NOTE: Drive Bearings P/N **65030-HS** are required when the machine is to be used for high speed diamond blade applications
See pg. 4



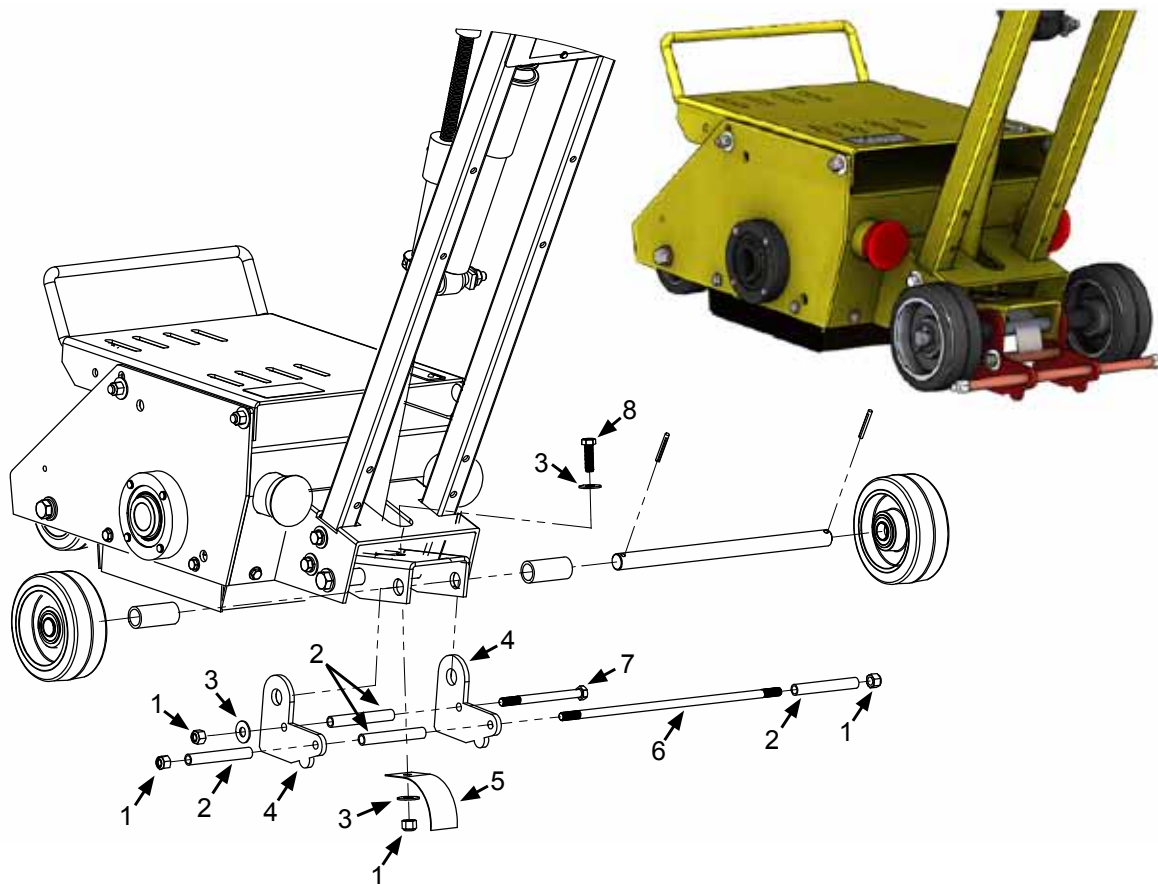
WATER CONTROLS ASSEMBLY (OPTIONAL)



Item	P/N	Qty	Description
1	NHN.25-20	1	1/4-20 Nylock Nut
2	FLW.25	2	1/4" Flat Washer
3	HX-CS.25-20x2.5	1	1/4-20x2.5" Hex Cap Screw
4	WT65084	1	Garden Hose Connect
5	WT65083	1	Ball Valve

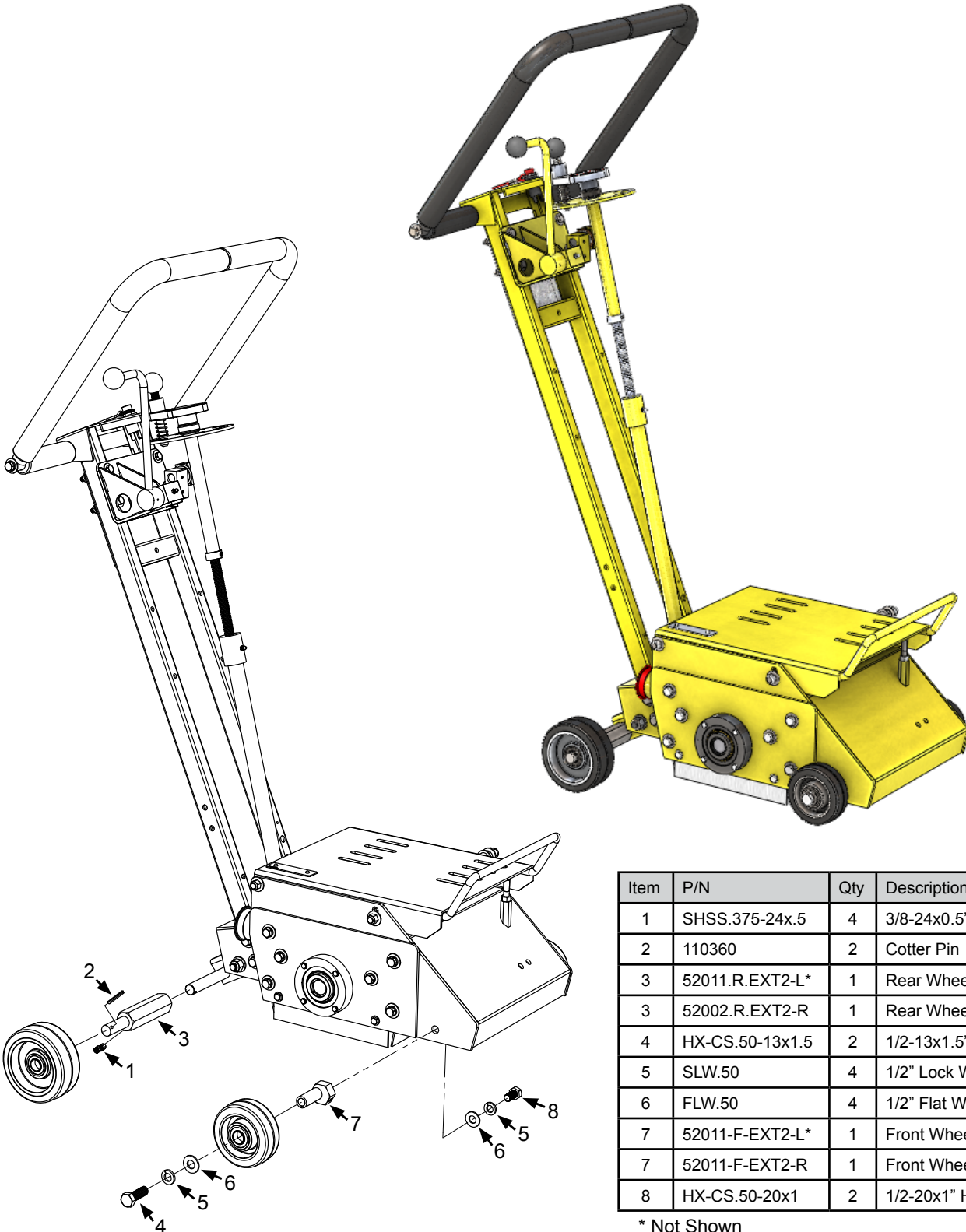
Item	P/N	Qty	Description
6	WT65082	1	Hose Fitting
7	WT65085	1	Mounting Bracket
8	WT65088	2	Hose Clamp
9	WT65089	1	Clear PVC Hose
10	WT65081	1	Elbow Fitting

CENTER STAND BRAKE ASSEMBLY (OPTIONAL)



Item	P/N	Qty	Description
1	NHN.375-16	4	3/8-16 Nylock Nut
2	SPS.CSB.2	4	Cross Tube
3	FLW.375	3	3/8" Flat Washer
4	SPS.CSB.1	2	Kick Stand Plate
5	SPS.CSB.3	1	Spring Lift Plate
6	SPS.CSB.4	1	Threaded Rod
7	HX-CS.375-16x5	1	3/8-16x5" Hex Cap Screw
8	HX-C.375-16x1.25	1	3/8-16x1.25" Hex Cap Screw

ECCENTRIC WHEEL EXTENDER KIT (OPTIONAL)



Item	P/N	Qty	Description
1	SHSS.375-24x.5	4	3/8-24x0.5" Set Screw
2	110360	2	Cotter Pin
3	52011.R.EXT2-L*	1	Rear Wheel Ecc. Extension (L)*
3	52002.R.EXT2-R	1	Rear Wheel Extension (R)
4	HX-CS.50-13x1.5	2	1/2-13x1.5" Hex Cap Screw
5	SLW.50	4	1/2" Lock Washer
6	FLW.50	4	1/2" Flat Washer
7	52011-F-EXT2-L*	1	Front Wheel Ecc. Extension (L)*
7	52011-F-EXT2-R	1	Front Wheel Ecc. Extension (R)
8	HX-CS.50-20x1	2	1/2-20x1" Hex Cap Screw

* Not Shown

Limited Equipment Warranty

All statements, technical information and recommendations contained in SMITH's literature are based on tests believed to be reliable, but the accuracy or completeness thereof is not guaranteed and the following is made in lieu of all warranties, expressed or implied. SMITH warrants all equipment or part referenced in this document which is manufactured by SMITH and bearing its name to be free from defects in material and workmanship on the date of sale to the original purchaser under normal use and maintenance as herein provided. This warranty does not apply to components manufactured by others such as, but not limited to, bearings and engines; such components that may or may not have their own warranties.

With the exception of any special, extended, or limited warranty published by SMITH, SMITH will, for a period of three months (90 days) from the date of sale or up to five hundred (500) hours of use by buyer, whichever shall occur first; repair or replace any part of the equipment determined by SMITH to be defective. This warranty applies only when the equipment or part is installed, operated and maintained in accordance with SMITH's written recommendations.

SMITH's sole obligation for any breach of warranty or breach of contract for defects, deliberate or accidental omissions, shall be limited to repairing, replacing or allowing credit for, at SMITH's option, any part which, under normal and proper use and maintenance, proves defective in material or workmanship within warranty period, provided, however, that notice of any such defect or omission and satisfactory proof thereof is promptly given by buyer to SMITH, and thereafter, such defective part is returned to SMITH with transportation charges prepaid, and SMITH's examination proves such part to have been defective. This warranty does not obligate SMITH to bear any transportation charges or personnel time in connection with the replacement or repair of defective parts. This warranty does not obligate SMITH to bear any expense for travel time or of personnel in connection with any service calls. SMITH will not, in any event, be liable to the user for any consequential damages arising out of this sale for the loss of use, lost profits or revenue, interest, lost goodwill or work stoppage. SMITH shall not be liable for any injury, loss or damage, direct or consequential, arising out of the use or the inability to use the product or for environmental claims. It being understood that SMITH has no means of controlling the products final use; therefore, it shall be buyer's responsibility to determine suitability of product for intended use and buyer assumes all risks and liabilities whatsoever, in connection therewith. In no event shall SMITH be liable for consequential or special damages. Used products are sold on an "as is" basis, and there is no implied warranty of merchantability or of fitness for a particular purpose, unless made in writing by an officer at SMITH's office.

This warranty does not cover, and SMITH shall not be liable for general wear and tear, or any malfunction, damage or wear caused by faulty installation, misapplication, abrasion, corrosion, inadequate or improper maintenance, negligence, accident, tampering, or substitution of non-SMITH component parts. Nor shall SMITH be liable for malfunction, damage or wear caused by the incompatibility of SMITH equipment with structures, accessories, equipment or materials not supplied by SMITH, or the improper design, manufacture, installation, operation or maintenance of structures, accessories, equipment or materials not supplied by SMITH. This warranty does not apply in respect to damages to any product or accessory or attachment thereof caused by overloading or other misuse, neglect or accident, nor does this warranty apply to any product or accessory or attachment thereof, which has been repaired or altered in any way which, in the sole judgment of SMITH, affects the performance, stability or general purpose for which it was manufactured. In the manufacture of buyer's equipment, parts may be omitted or equivalent functioning equipment and components may be substituted for the original specified equipment upon the sole judgment and discretion of SMITH.

This warranty is conditioned upon the prepaid return of the equipment claimed to be defective to an authorized SMITH Reseller for verification of the claimed defect. If the claimed defect is verified, SMITH will repair or replace free of charge any defective parts and return of merchandise back to the customer freight collect. If inspection of the equipment does not disclose any defect in material or workmanship, repairs will be made at a reasonable charge, which charges may include the costs of parts, labor and transportation.

THIS WARRANTY IS EXCLUSIVE AND IS IN LIEU OF ANY OTHER WARRANTIES, EXPRESS OR IMPLIED, INCLUDING BUT NOT LIMITED TO WARRANTY OF MERCHANTABILITY OR WARRANTY OF FITNESS FOR A PARTICULAR PURPOSE.

SMITH's sole obligation and buyer's sole remedy for any breach of warranty shall be as set forth above. The buyer agrees that no other remedy (including, but not limited to, incidental or consequential damages for lost profits, lost sales, injury to person or property, or any other incidental or consequential loss) shall be available. Any action for breach of warranty must be brought within two (2) years of the date of sale.

SMITH MAKES NO WARRANTY, AND DISCLAIMS ALL IMPLIED WARRANTIES OF MERCHANTABILITY AND FITNESS FOR A PARTICULAR PURPOSE, IN CONNECTION WITH ACCESSORIES, EQUIPMENT, MATERIALS OR COMPONENTS SOLD BUT NOT MANUFACTURED BY SMITH.

These items sold, but not manufactured by SMITH (such as electric motors, switches, hose, etc.), are subject to the warranty, if any, of their manufacturer. SMITH will provide purchaser with reasonable assistance in making any claim for breach of these warranties. In no event will SMITH be liable for indirect, incidental, special or consequential damages resulting from SMITH supplying equipment hereunder, or the furnishing, performance, or use of any products or other goods sold hereto, whether due to a breach of contract, breach of warranty, the negligence of SMITH, or otherwise.

ADDITIONAL WARRANTY COVERAGE - SMITH does provide extended warranty and wear warranty for products.

Corrections - typographical or clerical errors contained herein are subject to correction by SMITH.

Assignment - buyer shall not assign or transfer this warranty without SMITH's written consent.

Entire agreement and applicable law - the rights and obligations of SMITH and buyer shall be governed by the laws of the state of Florida, U.S.A. In force on date hereof. The provisions hereof are intended by buyer and SMITH as a final expression of their agreement, and are intended also, as a complete and exclusive statement of all terms apply cable to buyer's order. No waiver, modification, or addition to any of the terms hereof shall be binding on SMITH, unless made in writing by an officer at SMITH's office as stated herein. In the event of conflict between buyer's purchase order and the terms hereof, the latter shall control. If any provisions herein are to any extent invalid or unenforceable, the remainder of the warranty shall not be effected thereby and shall be valid and enforceable to the fullest extent permitted by law.

Legal action - buyer shall be responsible for all costs of collection of outstanding indebtedness, including but not limited to attorney's fees and court costs to seller. Buyer shall reimburse seller for any and all litigation expenses seller incurs as a result of an unsuccessful buyer claim. The jurisdiction and venue of the court for any litigation, state or federal, brought by the buyer and/or seller shall be located in venue determined by seller.

Fair labor standards - seller's products are produced in the United States and in conformity with all applicable provisions of the fair labor standards act of 1938 as amended and any regulations and orders of the United States Department of Labor issued thereunder.

All written and visual data contained in this document reflects the most current product information available at the time of this publication. SMITH reserves the right to make changes at any time without notice.

TO ORDER, contact your SMITH distributor or call 1-800-653-9311 to identify the nearest distributor.

SMITH Manufacturing Co, Inc.
1610 South Dixie Highway
Pompano Beach, FL 33060
www.smithmfg.com



SPS10

Electric



PRE-OPERATION INSPECTION - WARRANTY ACTIVATION PRODUCT REGISTRATION

1610 South Dixie Highway - Pompano Beach, FL 33060 • Ph: 954-941-9744 • Fax: 954-545-0348 • Email: info@smithmfg.com • www.SMITHMFG.com

Thank you for purchasing a SMITH. Please complete this form upon receipt of your equipment and prior to use on the job. A pre-operation inspection is required to activate your warranty. *All sections must be completed.* Should you have any questions, please add them to the comments section below. Fax the completed form to (954) 545-0348.

Organization _____

Name _____ JobTitle _____

Phone _____ Email _____

Address _____

City _____

State _____ Zip _____

SMITH Product **SPS10 Electric**

Machine Serial # _____

Date of Purchase (MM / DD / YYYY) _____

Purchased from _____

PRE-OPERATION INSPECTION (PLEASE CHECK ALL)

1. No parts or components on the machine appear damaged or lost in shipment. Yes No
2. All bolts and fasteners are in place and tightly secured. Yes No
3. Grease points have been identified for future maintenance requirements and appear lubricated. Yes No
4. Wheels are operational. Yes No
5. Motor has been started and in good working condition. Yes No
6. All Decals appear in place and securely attached. Yes No
7. Equipment runs and tested to assure all components are operating correctly. Yes No
8. Do you have a Wear Parts Kit with an Extra Cutter set in stock? Yes No
9. Did you join Remove Faster News for tech updates, experience sharing and special offers? Yes No

Comments (add any additional or from above answers below)

NOTE: All power equipment is warranted directly from the motor/engine manufacturers direct and not from SMITH Manufacturing. Prior to starting your equipment, please find the name of your engine/motor repair center for warranty and service:

- Honda: <http://engines.honda.com/dealer-locator/>
- Subaru: <http://robinamerica.com/dealerusacan.aspx>
- Leeson: <http://www.leeson.com/leeson/servicecenter.do?invoke=viewServiceCenterLocator>
- US Motors: <http://www.usmotors.com/Contact-Information.aspx>
- Kohler: <http://www.kohlerengines.com/contact/contact.htm>

IMPORTANT: Gas Engine owners: Never tip engine forward which will lock the recoil pull cord until the fuel and oil returns back into their respective fuel chambers and the carburetor is free before it can be started.



SMITH Manufacturing

1610 South Dixie Highway
Pompano Beach, FL 33060

Toll Free: 800.653.9311

Phone: 954.941.9744

Fax: 954.545.0348

Email: info@SmithMfg.com

www.SmithMfg.com